



OBERDORFER PUMPS

by Gardner Denver

Bronze Close Coupled External Rotary Gear Pumps

Model N991 Series

Model N991 Series (1/4" NPT Ports Standard)



PUMP	DESCRIPTION
N991	Standard Pump w/ 1/4" ports
N991R	Pump w/ 1/4" ports & relief valve
N991S5	Pump w/ FKM lipseal
N991RS5	Pump w/ FKM lipseal & relief valve
N991S16	Pump w/ NBR mechanical seal
N991RS16	Pump w/ NBR mechanical seal & relief valve
N991S17	Pump w/ FKM mechanical seal
N991RS17	Pump w/ FKM mechanical seal & relief valve
N991S18	Pump w/ PTFE mechanical seal
N991RS18	Pump w/ PTFE mech. seal & relief valve
N991S8	Pump w/ EPDM mechanical seal
N991RS8	Pump w/ EPDM mech. seal & relief valve

FEATURES:

- Rugged corrosion resistant bronze construction
- Compact close-coupled design
- Stainless steel shafts
- Durable bronze spur gears
- Process lubricated carbon graphite bearings
- O-ring cover seal for maximum leak protection
- Lip seal or Mechanical Seal
- Easy field assembly to a variety of motor frames
 - For typical DC motor pump units - see N991-32 DC
 - For compact AC motor pump units - see Bronze Adapterless Rotary Gear Pumps
- For bronze pedestal pumps styles see model N1000
- For carbonator styles see N91series and N61 series

GENERAL DESCRIPTION:

Pump housings and gears are made of top quality bronze, shafts are 303 stainless steel. Bearings are designed of high performance carbon-graphite material selected for wear resistance and long service life.

Gear pumps are positive displacement pumps. Each shaft revolution displaces a definite amount of liquid relatively unaffected by the back pressure in the discharge line. Shaft speed and flow are directly proportional. Recommended pressure limits are 100 PSI for water and non-lubricants, 150 PSI for oil and other lubricants. The maximum shaft speed is 1750 RPM.

SHAFT SEALS:

Close coupled gear pumps are normally supplied with a NBR lip seal. For a FKM Seal, add S5 to the pump model number. For a NBR Mechanical seal add S16 and for a FKM Mechanical Seal add S17. For a PTFE mechanical seal add S18. For a EPDM mechanical seal add S8.

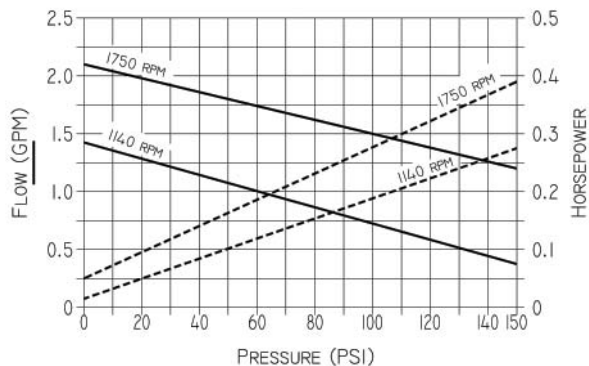
LIQUIDS AND TEMPERATURE:

These pumps are suitable for all liquids that are compatible with bronze. Most common liquids are water, oil, and mild chemicals in the pH range of 4 to 11. Viscous liquids require reduced shaft speeds of 1150 RPM or lower. (Consult factory)

Liquids containing solids, abrasives, powders, or paint pigments are definitely not recommended for gear pumps. If abrasives are unavoidable, use a very low shaft speed.

PERFORMANCE:

Water, 70° F



A John M. Ellsworth Company

John M. Ellsworth Co., Inc.

P.O. Box 240072
8700 West Bradley Road
Milwaukee, WI 53224

800-333-3331 **PHONE**
800-563-8858 **FAX**

info@jmesales.com **E-MAIL**
www.JMESales.com **WEB**

Bronze Close Coupled External Rotary Gear Pumps

Model N991 Series

See Pricebook for the recommended liquid temperature range of lip and mechanical seals. Freezing of water-filled pumps can cause damage and must be avoided. Oils at low temperatures are very viscous requiring a lower speed or extra power.

SUCTION LIFT:

As a general rule, the suction lift should be kept at an absolute minimum by placing the pump as close to the liquid source as possible. A gear pump in new condition can lift 20 feet of water in the suction line. A foot valve (preferably with built-in strainer) is recommended at the beginning of the suction line. For a first start-up, the pump should be primed to avoid dry running. Minimum size of the suction pipe is the size of the pump inlet port. For longer suction lines (over 3 feet) or for viscous liquids, the pipe should be at least one size or two sizes larger than the pump inlet port.

ROTATION AND RELIEF VALVE:

If the discharge line contains any throttling devices such as a shut-off valve, a spray nozzle or other restrictive de-

vice, it is necessary to have a relief valve in the system which returns the liquid to the suction side or to the tank. The relief valve is also available as part of the pump itself (R-model pumps). However, built-in relief valves are only good for intermittent service. If used continuously, the pump will overheat. A built-in relief valve is strictly a safety device against overpressure. It will not work successfully as a pressure or flow control device. For this purpose a separate relief valve in the pressure line must be used.

Unless otherwise specified, the pump motor unit is supplied by the factory for shaft rotation counterclockwise from shaft end. Reversing motor will reverse “in and “out” ports and also requires changing relief valve location. The relief valve is always on the inlet side of this pump series. The factory pressure setting is 50 PSIG. To increase pressure, turn the relief valve adjusting screw in a clockwise direction.

Parts List

	1	2	3	4	5	6	7	8	9	10	11	12		13
	Screw	Body	Bearing	Drive Gear Assy	Idle Gear Assy	Dowel Pin	O-Ring	Cover	Tag	Tag Screw	Screw	Lipseal	Mechanical Seal	Coupling Half
Pump No.	Qty. 6	Qty. 1	Qty. 4	Qty. 1	Qty. 1	Qty. 2	Qty. 1	Qty. 1	Qty. 1	Qty. 2	Qty. 1	Qty. 1	Qty. 1	Qty. 1
N991	5013	9300NB5N	5024	32149	32110	8885	9797-033	9303NN2N	9344	9345	5595	5007	N/A	5604
N991R	5013	9300NB5N	5024	32149	32110	8885	9797-033	9303NN2B	9344	9345	5595	5007	N/A	5604
N991S5	5013	9300NB5N	5024	32149	32110	8885	9797-033	9303NN2N	9344	9345	5595	7580	N/A	5604
N991RS5	5013	9300NB5N	5024	32149	32110	8885	9797-033	9303NN2B	9344	9345	5595	7580	N/A	5604
N991S16	7733	9300NB5N	5024	33292	32110	8885	9797-033	9304PN4N	9344	9345	5595	N/A	32584	5604
N991RS16	7733	9300NB5N	5024	33292	32110	8885	9797-033	9304PN4B	9344	9345	5595	N/A	32584	5604
N991S17	7733	9300NB5N	5024	33292	32110	8885	9797-033	9304PN4N	9344	9345	5595	N/A	32585	5604
N991RS17	7733	9300NB5N	5024	33292	32110	8885	9797-033	9304PN4B	9344	9345	5595	N/A	32585	5604
N991S18	7733	9300NB5N	5024	33292	32110	8885	9355-033	9304PN6N	9344	9345	5595	N/A	32335	5604
N991RS18	7733	9300NB5N	5024	33292	32110	8885	9355-033	9304PN6B	9344	9345	5595	N/A	32335	5604
N991S8	7733	9300NB5N	5024	33292	32110	8885	9999-033	9304PN4N	9344	9345	5595	N/A	32754	5604
N991RS8	7733	9300NB5N	5024	33292	32110	8885	9999-033	9304PN4B	9344	9345	5595	N/A	32754	5604



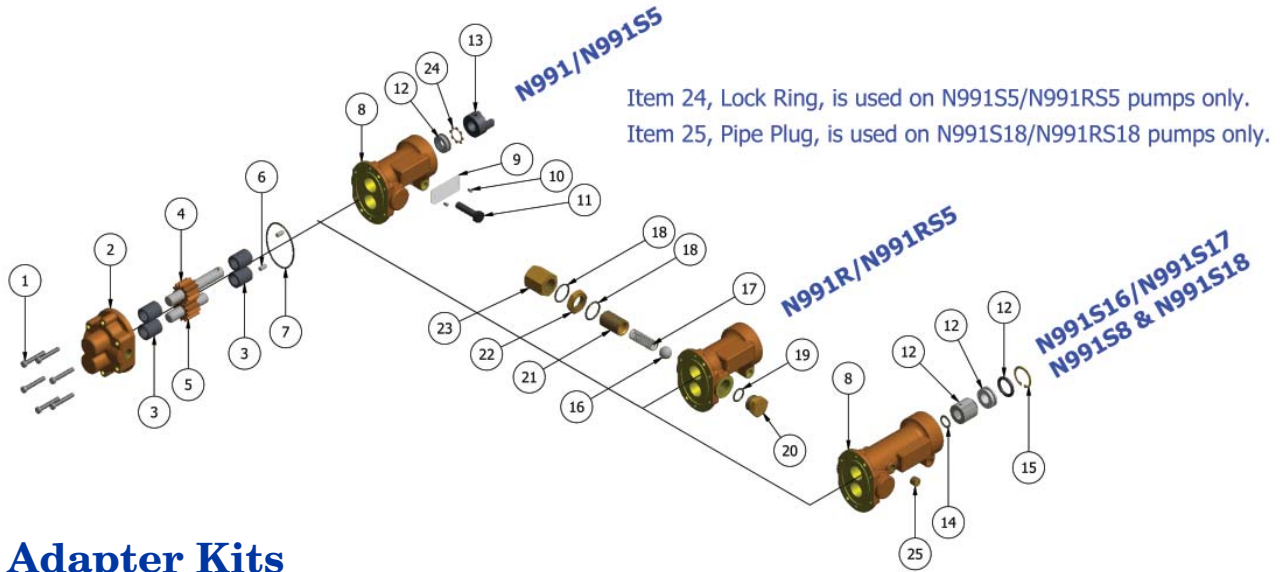
John M. Ellsworth Co., Inc.

P.O. Box 240072
8700 West Bradley Road
Milwaukee, WI 53224

800-333-3331 **PHONE**
800-563-8858 **FAX**

info@jmesales.com **E-MAIL**
www.JMESales.com **WEB**

Exploded View



Adapter Kits

Adapter Kits		
Adapter Kit	Part Number	Description
M	10562	48 Frame
N	10816	56 Frame
P	11722	S56 Frame
Q	11331	56C Frame (to 3/4 HP)
F	11332	IEC71
N/A	N/A	Adapterless - Modified 48

Pump No.	14	15	16	17	18	19	20	21	21	23	24	25	Repair Kits
	Qty. 1	Qty. 1	Qty. 1	Qty. 1	Qty. 2.	Qty. 1	Qty. 1	Qty. 1	Qty. 1	Qty. 1	Qty. 1	Qty. 1	
N991	N/A	N/A	N/A	N/A	N/A	N/A	N/A	N/A	N/A	N/A	N/A	N/A	10640
N991R	N/A	N/A	5803	1840	9797-019	9797-015	1838	5237	5240D	5239	N/A	N/A	11318
N991S5	N/A	N/A	N/A	N/A	N/A	N/A	N/A	N/A	N/A	N/A	7626	N/A	12394
N991RS5	N/A	N/A	5803	1840	9797-019	9797-015	1838	5237	5240D	5239	7626	N/A	12395
N991S16	5373	7639	N/A	N/A	N/A	N/A	N/A	N/A	N/A	N/A	N/A	N/A	TBD
N991RS16	5373	7639	5803	1840	9797-019	9797-015	1838	5237	5240D	5239	N/A	N/A	TBD
N991S17	5373	7639	N/A	N/A	N/A	N/A	N/A	N/A	N/A	N/A	N/A	N/A	TBD
N991RS17	5373	7639	5803	1840	9797-019	9797-015	1838	5237	5240D	5239	N/A	N/A	TBD
N991S18	5373	7639	N/A	N/A	N/A	N/A	N/A	N/A	N/A	N/A	N/A	6052	TBD
N991RS18	5373	7639	5803	1840	9797-019	9797-015	1838	5237	5240D	5239	N/A	6052	TBD
N991S8	5373	7639	N/A	N/A	N/A	N/A	N/A	N/A	N/A	N/A	N/A	N/A	TBD
N991RS8	5373	7639	5803	1840	9999-019	9999-015	1838	5237	5240D	5239	N/A	N/A	TBD



John M. Ellsworth Co., Inc.

A John M. Ellsworth Company

P.O. Box 240072
8700 West Bradley Road
Milwaukee, WI 53224

800-333-3331 **PHONE**
800-563-8858 **FAX**

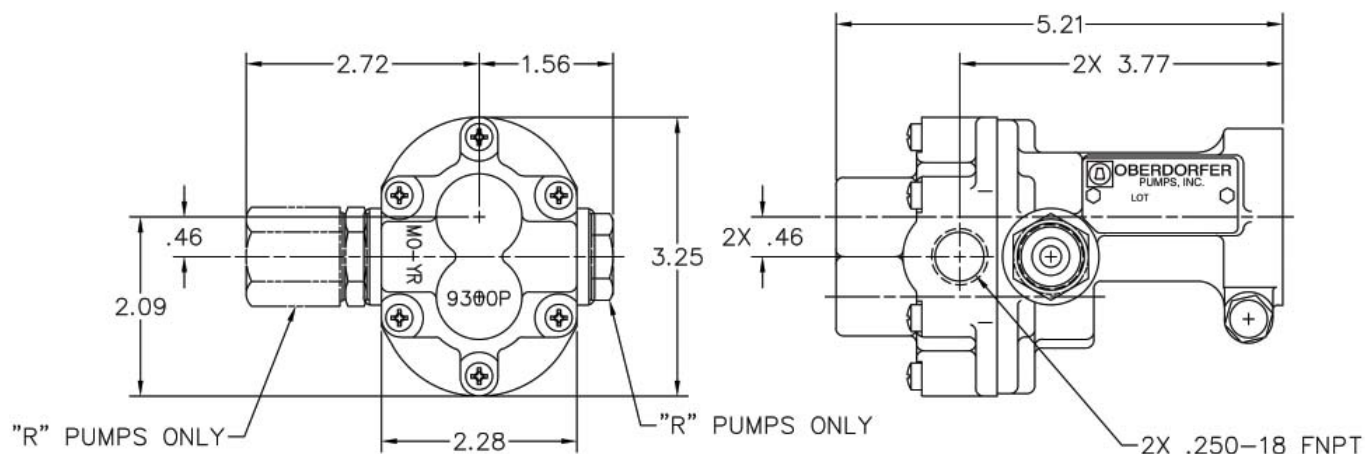
info@jmesales.com **E-MAIL**
www.JMESales.com **WEB**

Bronze Close Coupled External Rotary Gear Pumps

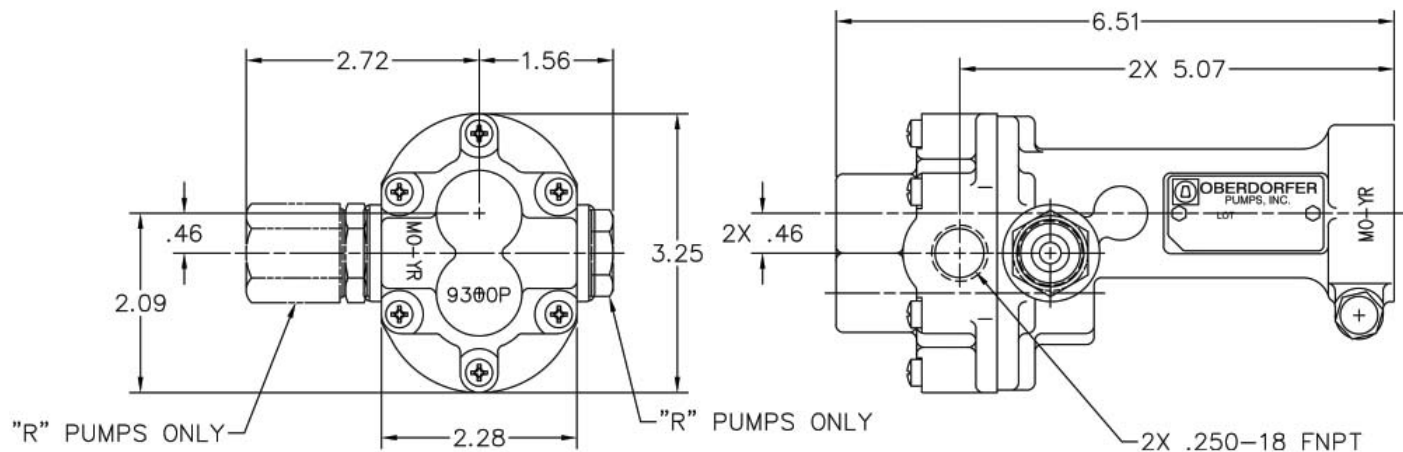
Model N991 Series

Dimensions

N991(R) & N991(R)S5



N991(R)S16 & N991(R)S17



John M. Ellsworth Co., Inc.

P.O. Box 240072
8700 West Bradley Road
Milwaukee, WI 53224

800-333-3331 **PHONE**
800-563-8858 **FAX**

info@jmesales.com **E-MAIL**
www.JMESales.com **WEB**